

Using electromagnets

Task 1: Groups of electromagnets (Levels 3–4)

Think of as many objects as you can that use electromagnets. Your Pupil Book and the items your teacher will show you will help.

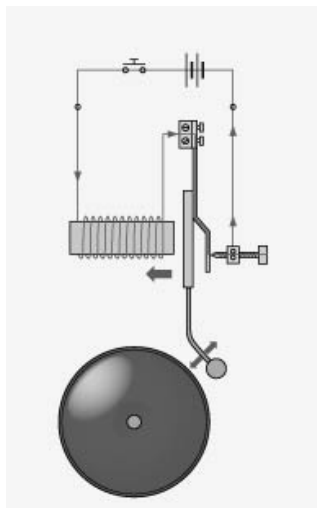
When you have got your list decide how you would divide the objects into groups.

Compare your groupings with a partner. Are they the same or different?

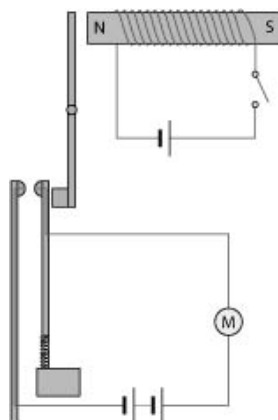
Task 2: Electromagnet expert (Levels 5–7)

You have 10 minutes to become an expert on either:

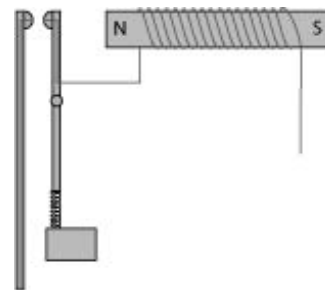
The electric bell



The relay



The circuit breaker



Your teacher will tell you which one to look at.

When you have had time to find out all you can, you will share your knowledge with two friends so that you all know about all three.

Use the diagrams to help you.

Task 3: The same or different? (Levels 6–7)

You now know about three uses of electromagnets. Can you list the ways in which these devices are the same?

Are there any ways in which they are different?